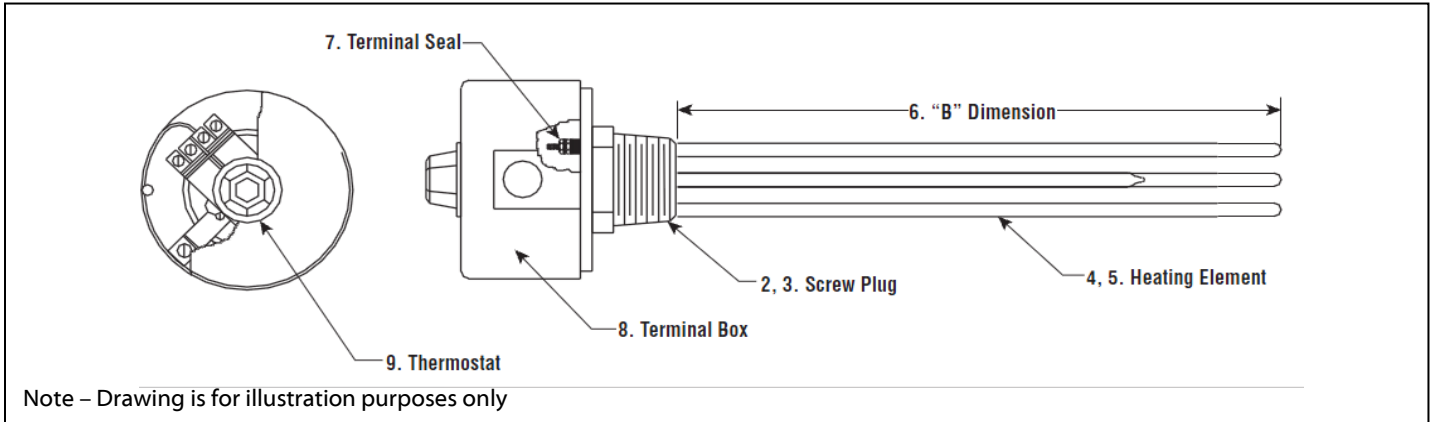


DATE: _____ CUSTOMER: _____
 PHONE: _____ CONTACT: _____
 FAX: _____ EMAIL: _____



Operating Conditions

APPLICATION (Describe in Detail):

MATERIAL HEATING:	OPERATING TEMPERATURE:	<input type="checkbox"/> °F <input type="checkbox"/> °C
OPERATING PRESSURE: _____ PSIG	AMBIENT TEMPERATURE:	<input type="checkbox"/> °F <input type="checkbox"/> °C
HAZARDOUS ENVIRONMENT: CLASS: _____ DIVISION: _____ GROUP: _____		<input type="checkbox"/> INDOOR <input type="checkbox"/> OUTDOOR

Heater Specifications (Check All That Apply)

RATING:	VOLTS	PHASE	HZ	KW
PLUG SIZE: (IN.-NPT):	<input type="checkbox"/> 1" <input type="checkbox"/> 1¼" <input type="checkbox"/> 2" <input type="checkbox"/> 2½"	ELEMENTS: <input type="checkbox"/> 1 <input type="checkbox"/> 2 <input type="checkbox"/> 3		
PLUG MATERIAL:	<input type="checkbox"/> STEEL <input type="checkbox"/> BRASS <input type="checkbox"/> 304 S/S <input type="checkbox"/> 316 S/S <input type="checkbox"/> OTHER:			
SHEATH MATERIAL:	<input type="checkbox"/> STEEL <input type="checkbox"/> COPPER <input type="checkbox"/> 304 S/S <input type="checkbox"/> 316 S/S <input type="checkbox"/> INCOLOY <input type="checkbox"/> OTHER:			
LENGTH (INCHES):	IMMERSION LENGTH		OVERALL LENGTH	
TERMINAL ENCLOSURES:	<input type="checkbox"/> NEMA 1 (General Purpose)	<input type="checkbox"/> NEMA 4 (Moisture Resistant)	<input type="checkbox"/> NEMA 4/7 (Moisture/Explosion Resistant)	
	<input type="checkbox"/> NEMA 4X (Corrosion Resistant)	<input type="checkbox"/> NEMA 7 (Explosion Resistant)		
THERMOSTAT:	<input type="checkbox"/> TYPE 1 (30-110°F) Single Pole/Single Throw		<input type="checkbox"/> TYPE 2 (30-250°F) Single Pole/Single Throw	
	<input type="checkbox"/> TYPE 3 (175-550°F) Single Pole/Single Throw		<input type="checkbox"/> TYPE 4 (40-110°F) Double Pole/Single Throw	
	<input type="checkbox"/> TYPE 5A (60-250°F) Double Pole/Single Throw		<input type="checkbox"/> TYPE 7A (100-550°F) Double Pole/Single Throw	
PROCESS SENSOR:	<input type="checkbox"/> NONE <input type="checkbox"/> TYPE J T/C in Thermowell		<input type="checkbox"/> TYPE K T/C in Thermowell	
LIMIT SENSOR:	<input type="checkbox"/> NONE <input type="checkbox"/> TYPE J <input type="checkbox"/> TYPE K		MOUNT: <input type="checkbox"/> HORIZONTAL <input type="checkbox"/> VERTICAL <input type="checkbox"/> TOP <input type="checkbox"/> BOTTOM	
PILOT LIGHT:	<input type="checkbox"/> YES <input type="checkbox"/> NO			
APPROVALS:	<input type="checkbox"/> NONE <input type="checkbox"/> CSA <input type="checkbox"/> ASME		<input type="checkbox"/> OTHER:	