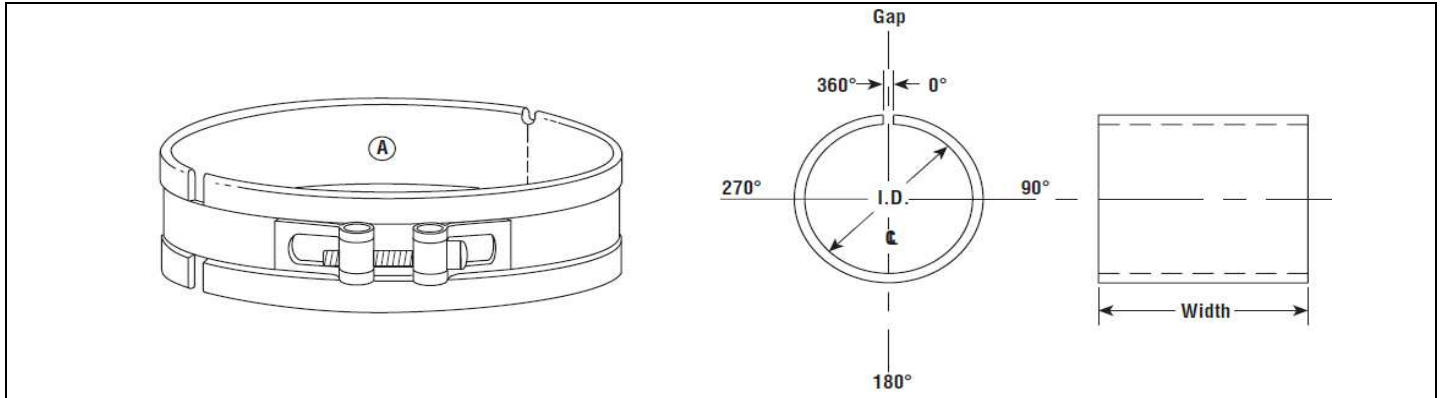


DATE: _____ CUSTOMER: _____
 PHONE: _____ CONTACT: _____
 FAX: _____ EMAIL: _____



Note: Drawing is for illustration purposes only.

Operating Conditions

APPLICATION (Describe in detail):			
MATERIAL to HEAT:	<input type="checkbox"/> GAS	<input type="checkbox"/> LIQUID	<input type="checkbox"/> SOLID
ENVIRONMENT:	<input type="checkbox"/> INDOOR	<input type="checkbox"/> OUTDOOR	
HAZARD CLASS:	Division:	Group:	
MAX WORK TEMPERATURE:		° <input type="checkbox"/> F <input type="checkbox"/> C	
MAX WATT DENSITY ALLOWED:			
AMBIENT TEMPERATURE:		° <input type="checkbox"/> F <input type="checkbox"/> C	

Heater Specifications:

RATING:	Volts:	Watts:	CONSTRUCTION:		<input type="checkbox"/> ONE PIECE	<input type="checkbox"/> TWO PIECE
DIMENSIONS:	WIDTH:	<input type="checkbox"/> Inches <input type="checkbox"/> MM	<input type="checkbox"/> EXPANDABLE	<input type="checkbox"/> HINGED HALF		
	DIAMETER:	<input type="checkbox"/> Inches <input type="checkbox"/> MM	<input type="checkbox"/> REVERSIBLE	<input type="checkbox"/> PARTIAL		
CLAMPING:	<input type="checkbox"/> SEPARATE STRAP	<input type="checkbox"/> BUILT IN	TERMINATIONS:	<input type="checkbox"/> STANDARD	<input type="checkbox"/> TANDEM	
	<input type="checkbox"/> LOW PROFILE STRAP	<input type="checkbox"/> CLAMP FLANGES	(Post Terminals)	<input type="checkbox"/> PARALLEL	<input type="checkbox"/> LOW PROFILE	
	<input type="checkbox"/> CLAMP PADS	<input type="checkbox"/> WEDGELOK		<input type="checkbox"/> STD POSTS	<input type="checkbox"/> BUTTON POSTS	
OPTIONS:	<input type="checkbox"/> 3-PHASE	<input type="checkbox"/> DUAL VOLTAGE	LEADS:	LENGTH:	<input type="checkbox"/> INCHES	<input type="checkbox"/> FEET
	<input type="checkbox"/> EXTRA WIDE GAP	<input type="checkbox"/> S/S SHEATH		<input type="checkbox"/> STANDARD	<input type="checkbox"/> METAL BRAID	
	<input type="checkbox"/> TERMINAL BOX	<input type="checkbox"/> END FOLD		<input type="checkbox"/> STAINLESS HOSE	<input type="checkbox"/> GROUND WIRE	
	<input type="checkbox"/> HOLES: ° from gap	Dia.		<input type="checkbox"/> RIGHT ANGLE	<input type="checkbox"/> SPG STRAIN RELIEF	
	<input type="checkbox"/> NOTCHES (Attach drawing)			<input type="checkbox"/> EUROPLUG	<input type="checkbox"/> QUICK DISCONNECT	
THERMOCOUPLE:	<input type="checkbox"/> INTERNAL:	<input type="checkbox"/> Type J <input type="checkbox"/> Type K	<input type="checkbox"/> BAYONET ADAPTOR	LOC:		
APPROVALS:	<input type="checkbox"/> NONE	<input type="checkbox"/> UL COMP CERTIFIED	<input type="checkbox"/> CSA CERTIFIED	<input type="checkbox"/> OTHER: (Specify)		
OTHER :						