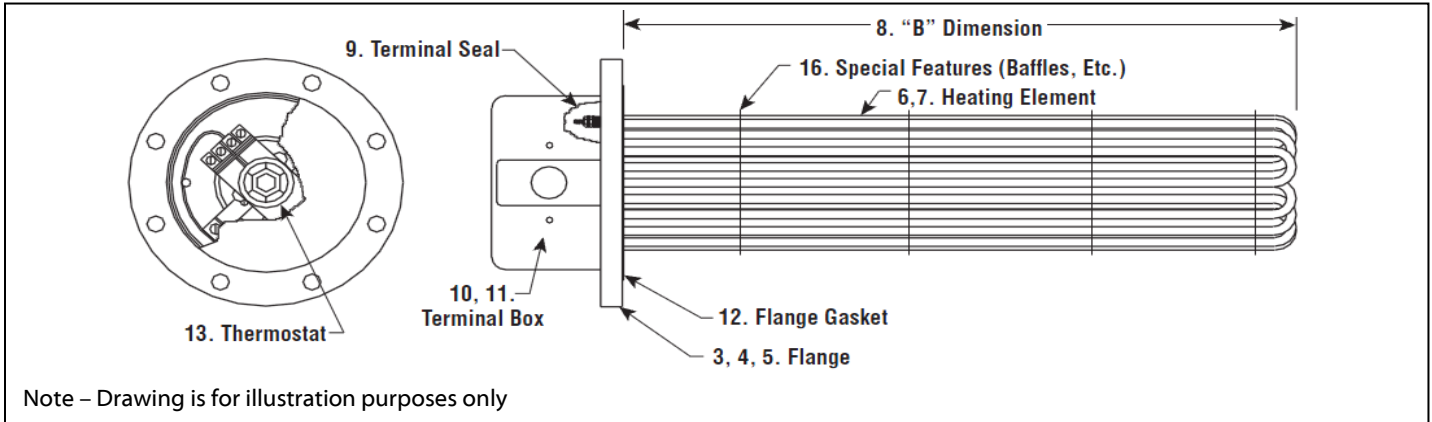


DATE: _____ CUSTOMER: _____
 PHONE: _____ CONTACT: _____
 FAX: _____ EMAIL: _____



Operating Conditions

APPLICATION (Describe in Detail):

MATERIAL HEATING: _____ OPERATING TEMPERATURE: °F °C

OPERATING PRESSURE: _____ PSIG AMBIENT TEMPERATURE: °F °C

HAZARDOUS ENVIRONMENT: CLASS: _____ DIVISION: _____ GROUP: _____ INDOOR OUTDOOR

Heater Specifications (Check All That Apply)

RATING:	VOLTS	PH	HZ	kW	NO. CIRCUITS:	<input type="checkbox"/> STD	<input type="checkbox"/> OTHER:
FLANGE SIZE (IN.)	<input type="checkbox"/> 3 <input type="checkbox"/> 4 <input type="checkbox"/> 5	<input type="checkbox"/> 6 <input type="checkbox"/> 8	<input type="checkbox"/> 10 <input type="checkbox"/> 12	<input type="checkbox"/> 14 <input type="checkbox"/> 16	<input type="checkbox"/> OTHER:		
FLANGE MATERIAL:	<input type="checkbox"/> STEEL <input type="checkbox"/> BRASS	<input type="checkbox"/> 304 S/S <input type="checkbox"/> 316 S/S	<input type="checkbox"/> OTHER:				
FLANGE RATING:	<input type="checkbox"/> CLASS 150	<input type="checkbox"/> CLASS 300	<input type="checkbox"/> OTHER:				
SHEATH MATERIAL:	<input type="checkbox"/> STEEL <input type="checkbox"/> COPPER	<input type="checkbox"/> 304 S/S <input type="checkbox"/> 316 S/S	<input type="checkbox"/> INCOLOY	<input type="checkbox"/> OTHER:			
LENGTH (INCHES):	IMMERSION LENGTH		OVERALL LENGTH				
TERMINAL SEALS:	<input type="checkbox"/> STD EPOXY (194°F)	<input type="checkbox"/> MED EPOXY (356°F)	<input type="checkbox"/> HIGH TEMP EPOXY (450°F)				
	<input type="checkbox"/> SILICONE RESIN (221°F)	<input type="checkbox"/> SILICONE FLUID (392°F)	<input type="checkbox"/> SILICONE RTV (500°F)				
	<input type="checkbox"/> LAVACONE (221°F)	<input type="checkbox"/> ULTRAGUARD (707°F)	<input type="checkbox"/> HIGH TEMP CERAMIC (2800°F)				
TERMINAL BOX:	<input type="checkbox"/> GENERAL PURPOSE	<input type="checkbox"/> MOISTURE RESISTANT	<input type="checkbox"/> EXPLOSION/MOISTURE RESISTANT				
STANDOFFS:	<input type="checkbox"/> NONE <input type="checkbox"/> 4" <input type="checkbox"/> 6" <input type="checkbox"/> OTHER:	GASKET: <input type="checkbox"/> STD <input type="checkbox"/> SPIRAL					
THERMOSTAT:	<input type="checkbox"/> NONE <input type="checkbox"/> 0-100°F <input type="checkbox"/> 60-250°F <input type="checkbox"/> 200-550°F	ELECTRICAL CODES: <input type="checkbox"/> UL <input type="checkbox"/> CSA					
ASME REQUIRED:	<input type="checkbox"/> NONE <input type="checkbox"/> YES:	<input type="checkbox"/> DESIGN ONLY <input type="checkbox"/> DESIGN & CERTIFY	With: <input type="checkbox"/> Sec I <input type="checkbox"/> Sec IV <input type="checkbox"/> Sec VIII				
APPROVALS:	<input type="checkbox"/> NONE <input type="checkbox"/> UL LISTED <input type="checkbox"/> CSA CERTIFIED	<input type="checkbox"/> OTHER:					
OTHER FEATURES:	<input type="checkbox"/> NONE <input type="checkbox"/> T/C on Sheath – Type:	<input type="checkbox"/> BAFFLES	<input type="checkbox"/> OTHER:				