

# B-CHQR Series NEMA 12 and 13 Continuous Hinge Quick-Release Wall Mount



## Applications

Intended for use as electrical junction boxes, terminal wiring boxes, and instrument housings. Hinged door with quick-release latching provides convenient access. Designed to provide protection from dust, dirt, oil, and water.

## Construction

- Bodies 14 gauge and doors fabricated from 16 gauge steel
- Continuously welded seams ground smooth, less knockouts or holes
- Lids are sealed with closed cell oil resistant neoprene gasket
- External mounting plates, top and bottom of enclosure
- Weldnuts are provided for mounting optional panels securely
- External quick release latches and standard continuous hinge secure cover
- Grounding provisions provided

## Finish

- ANSI 61 gray polyester powder light texture inside and out, over phosphatized surfaces

## Listings

- UL 50, Types 12 & 13 [UL file E6924]
- CSA Certified, Type 12 [CSA file LL66078]
- NEMA/EEMAC Type 12 & 13

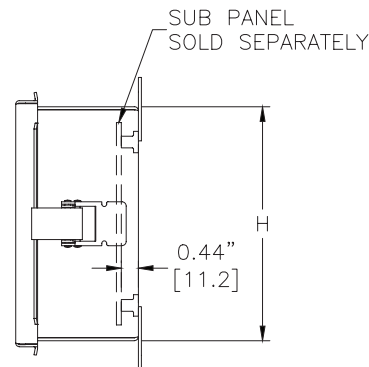
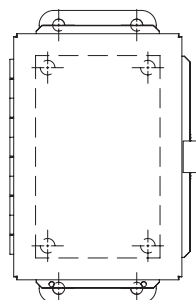
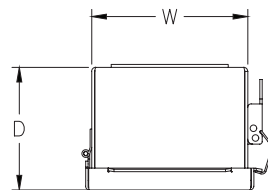


Enclosure Shipping Schedule		
Same day	1 - 7 days	1 -10 days
Color indicates shipping lead time in business days.		

B-CHQR Series NEMA 12 and 13 Continuous Hinge Quick-Release Wall Mount					
Part Number	Price	Enclosure Size HxWxD	Painted Steel Subpanel	Stainless Steel Subpanel	Galvanized Steel Subpanel
<b>B060403CHQR</b>	\$42.50	6x4x3 [152x102x76]	<b>P0604</b>	<b>P0604SS</b>	<b>P0604G</b>
<b>B060604CHQR</b>	\$49.50	6x6x4 [152x152x102]	<b>P0606</b>	<b>P0606SS</b>	<b>P0606G</b>
<b>B080603CHQR</b>	\$53.00	8x6x3.50 [203x152x89]	<b>P0806</b>	<b>P0806SS</b>	<b>P0806G</b>
<b>B100804CHQR</b>	\$69.00	10x8x4 [254x203x102]	<b>P1008</b>	<b>P1008SS</b>	<b>P1008G</b>
<b>B121005CHQR</b>	\$81.00	12x10x5 [305x254x127]	<b>P1210</b>	<b>P1210SS</b>	<b>P1210G</b>
<b>B141206CHQR</b>	\$103.00	14x12x6 [356x305x152]	<b>P1412</b>	<b>P1412SS</b>	<b>P1412G</b>
<b>B161406CHQR</b>	\$121.00	16x14x6 [406x356x152]	<b>P1614</b>	<b>P1614SS</b>	<b>P1614G</b>

*Note: Dimensions in inches [millimeters]; letters in table correspond to letters on dimensional drawings.*

## Dimensions in [mm]



See our website: [www.AutomationDirect.com](http://www.AutomationDirect.com) for complete engineering drawings.