

Surge protection devices



EATON

Eaton SP2 surge protection device

Compact, cost-effective surge protection

With a wide range of voltages and configurations to meet equipment protection needs in light commercial and machine control panel applications, the SP2 delivers superior surge protection and eliminates the need for additional overcurrent protection – reducing space, cost and downtime.

Eaton® SP2 features and benefits:

Enhance equipment protection: Tap a wide range of voltage-specific models to protect electrical systems and equipment better than a “one-size-fits-all” or economy SPD solution.

Reduce costs: Lower equipment and installation costs with the SP2’s unique thermal disconnect technology, which mitigates the need for additional equipment investments in overcurrent devices.

Maximize space: Simplify installation and control panel building with the SP2’s compact form-factor.

Simplify troubleshooting and maintenance: Obtain real-time status of surge protection devices with highly visible LED indicators that provide surge protection status at a glance.

Increase deployment flexibility: Apply the SP2 in indoor or outdoor environments with a compact UV-resistant NEMA 4X enclosure. The device can also be used on single-phase, split-phase, wye and delta systems to simplify equipment protection.

Product ratings:

- Type 1 UL 1449 3rd Edition listed
- Short circuit current rating (SCCR) of 200 kAIC
- Voltages from 120 to 600 Vac
- Peak surge current (I_{max}) rating of 45 kA
- Nominal discharge current (I_n) rating of 10 kA
- RoHS compliant
- Designed and tested to:
 - IEEE C62.41.1
 - IEEE C62.41.2
 - IEEE C62.43-2005
 - IEEE C62.45-2002
 - IEEE C62.48-2005
 - IEEE C62.62-2010
- Eight part numbers
- Two-year warranty



Introducing SP2 for light commercial and UL 508A panel applications

EATON

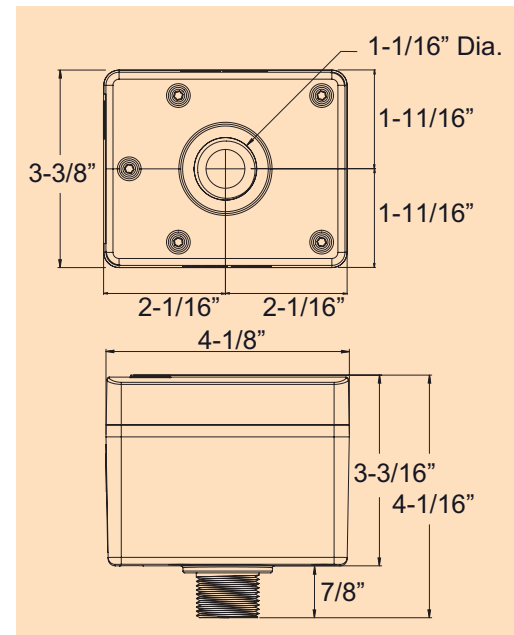
Powering Business Worldwide

SP2 SURGE PROTECTION DEVICE MODEL SELECTION GUIDE

Catalog number	Nominal system voltage	Maximum continuous operating AC voltage (MCOV)	System type	Voltage protection ratings (VPR)	Connection points
SP2-120	120	150	Single-phase, two-wire	700 L-N	2
SP2-240	240	320	Single-phase, two-wire	1200 L-N	2
SP2-240S	120/240	150	Split-phase, three-wire	700 L-N, 120 L-L	3
SP2-240D	240	320	Three-phase delta, three-wire + ground	1200 L-G, 2500 L-L	4
SP2-480D	480	550	Three-phase delta, three-wire + ground	1800 L-G, 3000 L-L	4
SP2-208Y	120/208	150	Three-phase wye, three-wire + ground	700 L-G, 1200 L-L	4
SP2-480Y	277/470	320	Three-phase wye, three-wire + ground	1200 L-G, 2500 L-L	4
SP2-600Y	347/600	420	Three-phase wye, three-wire + ground	1500 L-G, 2500 L-L	4

SP2 SURGE PROTECTION DEVICE SPECIFICATIONS

Description	Specification
Markets	Light commercial and UL 508A panels
Product warranty	2 years
System types	Single, split, delta and wye
Nominal system voltage	120, 208, 240, 480, 600 Vac
Installation	Two-, three-, four-wire
Maximum continuous operating AC voltage	Matched to nominal voltage
MCOV	150-550 Vac (see table above)
L-N protection	Yes (single-phase units)
L-L protection	Yes
L-G protection	Yes (three-phase units)
N-G protection	No
Protection	Surges and transients
SCCR	200 kA
Nominal discharge current (8 x 20 μs) I _n	10 kA
Maximum discharge current (8 x 20 μs) I _{max}	45 kA
Response time t _A	<25 ns
Voltage protection ratings (VPRs)	See technical data in table above
Frequency	50/60 Hz
Operating status / fault indication	One bi-color LED – green (good) / red (replace)
Conductor gauge / length	10 AWG stranded copper / 18 inches
Mounting	Chase nipple / bracket
Enclosure rating	NEMA 4X – UL 94-5VA
Degree of protection (installed state)	IP20 (finger-safe)
Install location	Indoor / outdoor
Circuit location	Lineside / loadside
Standards / agency information	UL 1449 3rd Edition Type 1 Listed SPD – cULus, RoHS compliant
Operating temperature	-40°C to +65°C
Maximum operating altitude	12,000 feet



Featuring the SP2 enclosure
Dimensions in inches (mm)

For details, please visit Eaton.com/SPD
For technical support, call: 800-809-2772, option 4, option 2
For other queries, email: spd@eaton.com

Eaton
Electrical Sector
1000 Eaton Boulevard
Cleveland, OH 44122 USA
Eaton.com

Powerquality.eaton.com

© 2014 Eaton
All Rights Reserved
Printed in USA
Publication No. PA158006EN
March 2014

Eaton is a registered trademark of Eaton.

All other trademarks are property of their respective owners.